

- Stainless steel, long lasting plates.
- High quality cast body structure.

General Features

- Welding operations on PVC profiles shown in Image 1.
- 90° welding of PVC profiles.
- Practical mould change system.
- Precision of welding quality thanks to linear rails.
- Normal and zero (0,2 mm) welding adjustment.
- Digital setting of heating values.
- Practical folding profile support table.

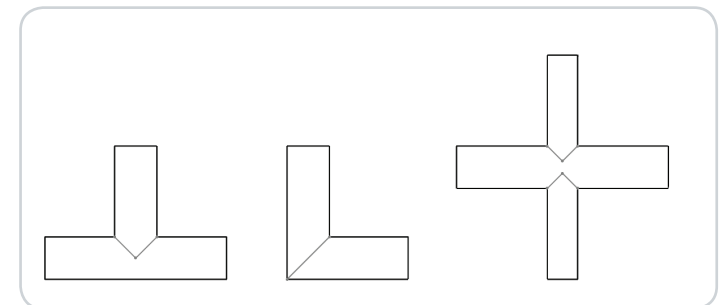
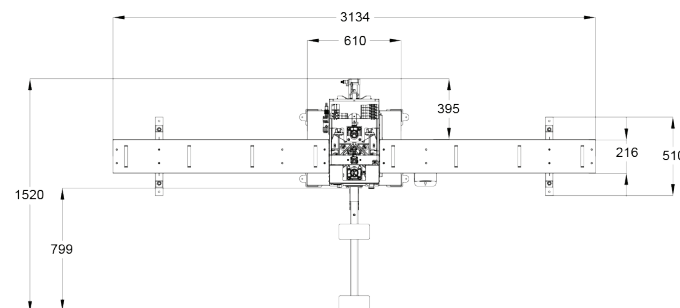


Image 1

<p>H: 1850 mm W: 3135 mm L: 1520 mm</p>	<p>230 V L1-L2-L3-N-PE 50 / 60 Hz 3,2 kW</p>	<p>210 kg</p>	<p>6-8 Bar 22 l / min</p>	<p>a max: 135 mm a min: 40 mm h max: 180 mm h min: 40 mm</p>
---	--	---------------	-------------------------------	--